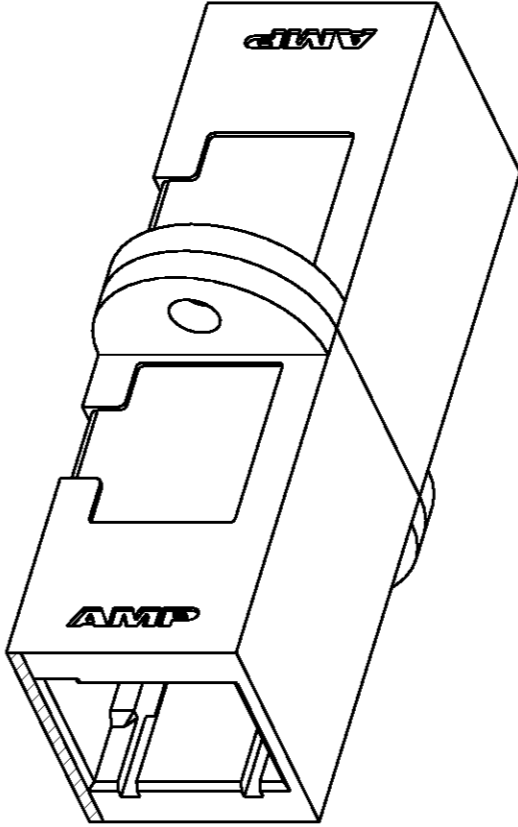
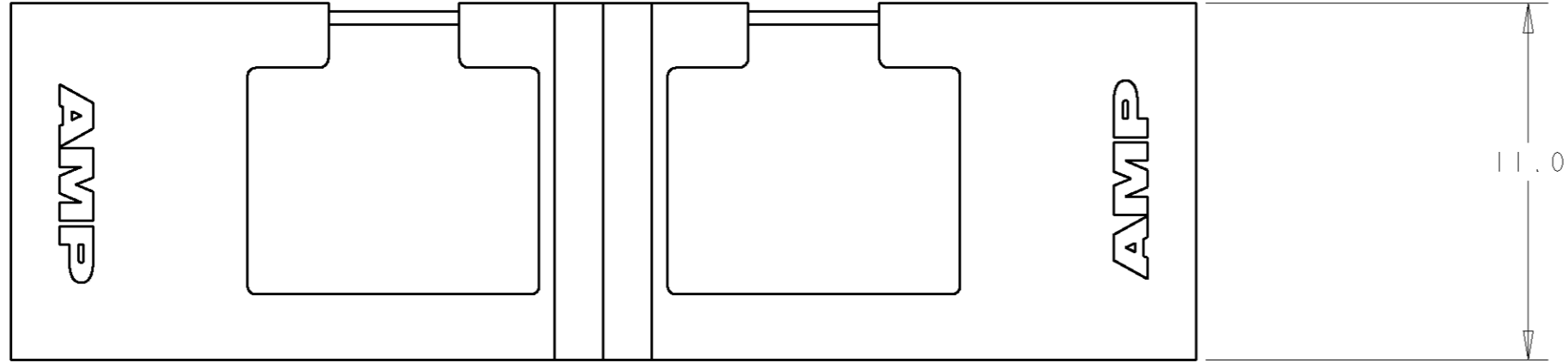
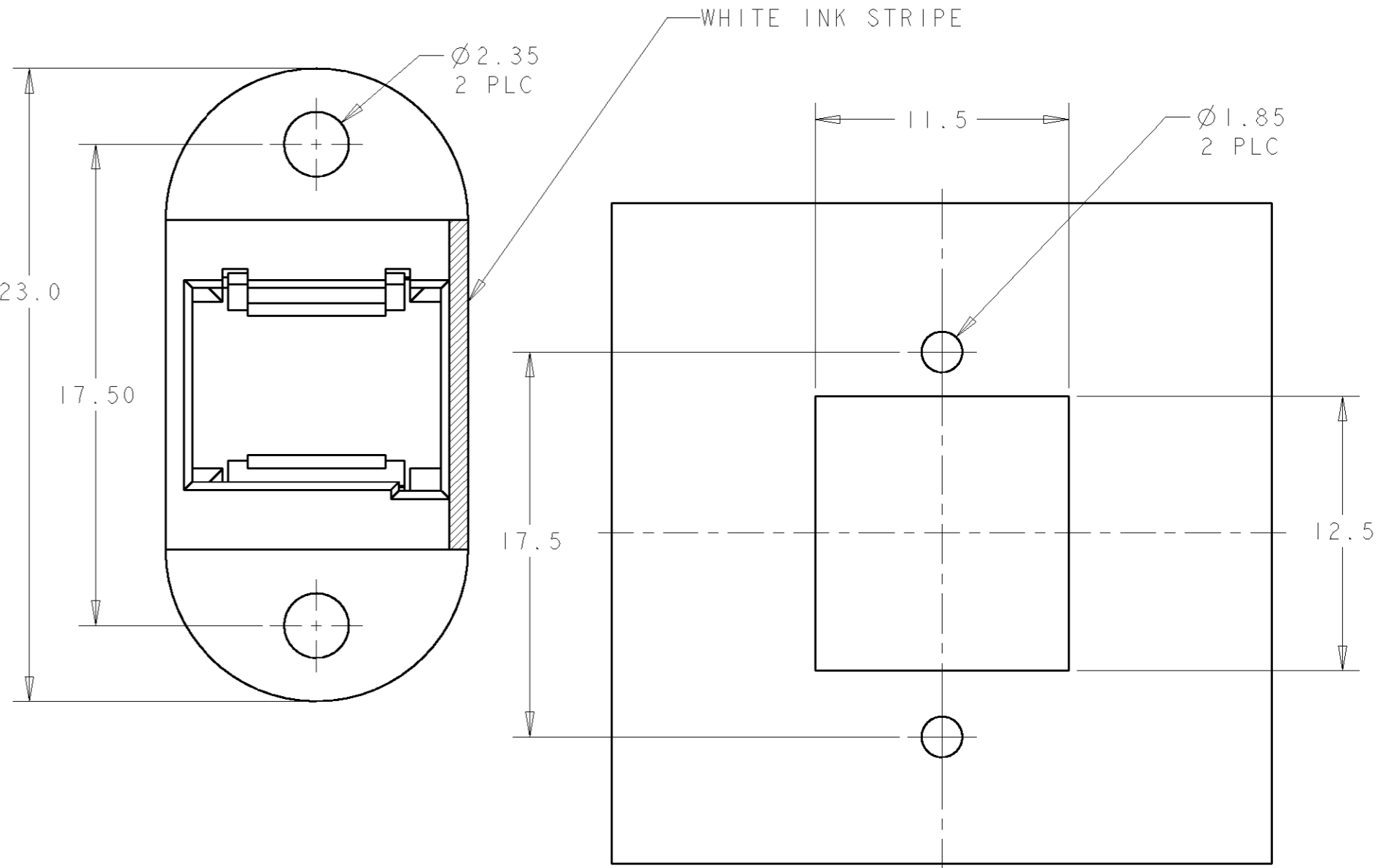
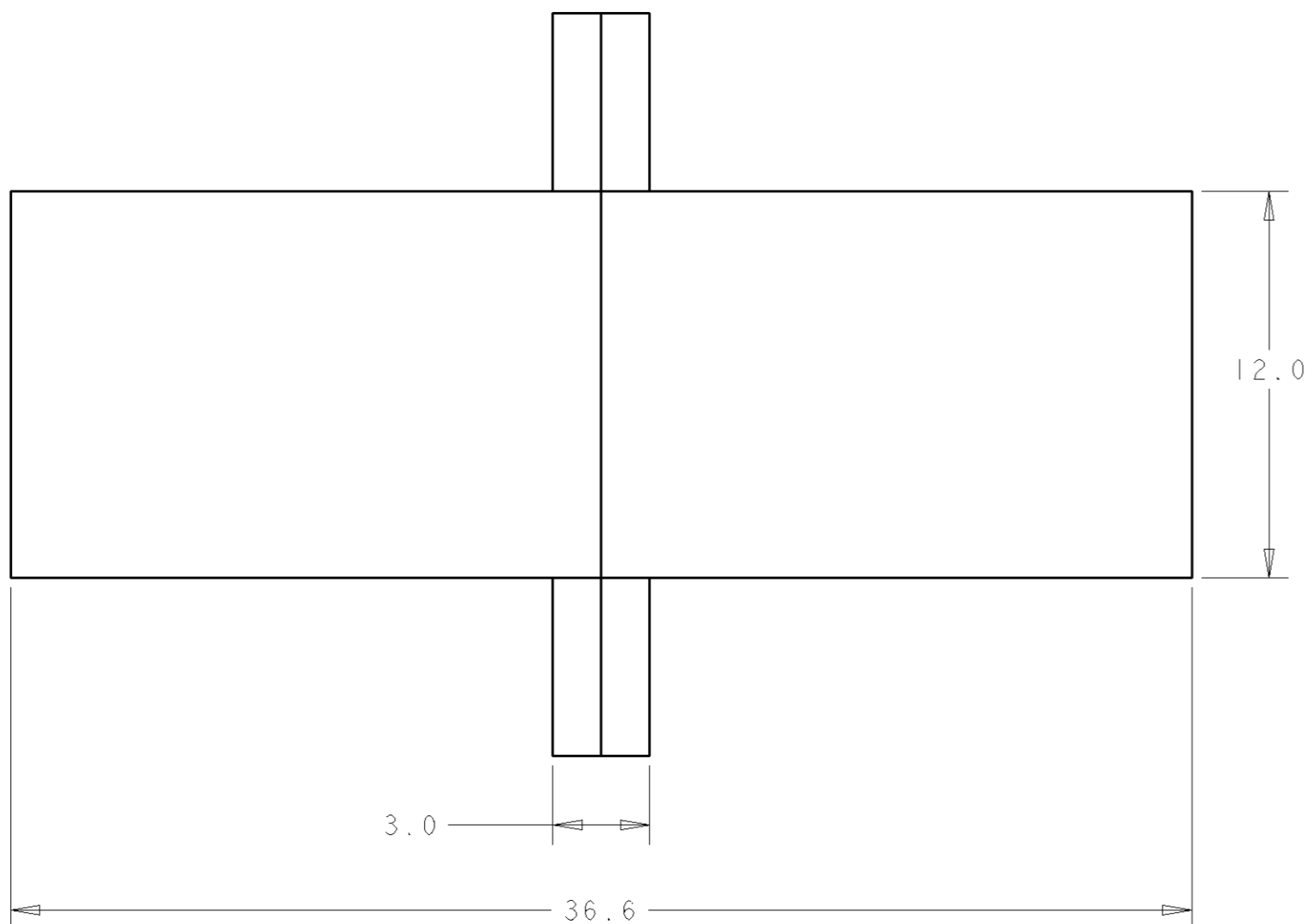
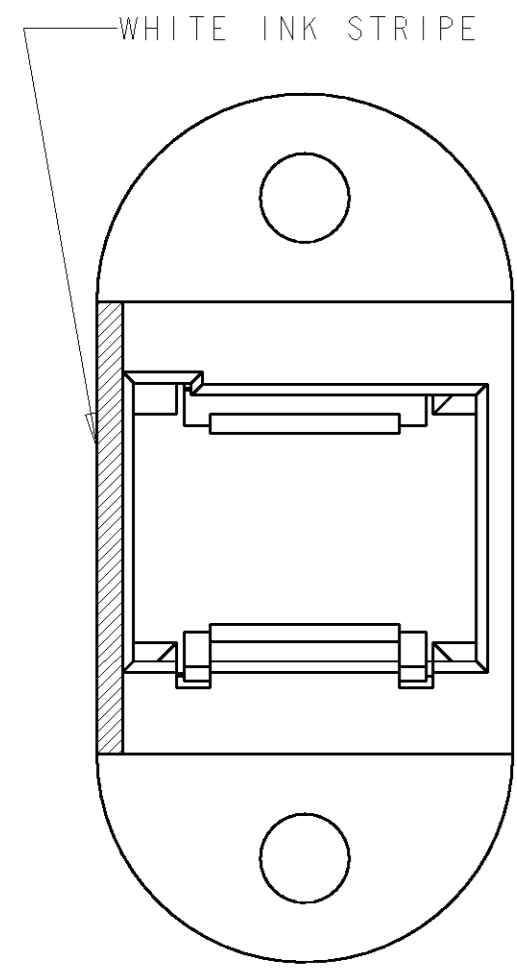


THIS DRAWING IS UNPUBLISHED. RELEASED FOR PUBLICATION .19
 © COPYRIGHT 19 BY AMP INCORPORATED. ALL RIGHTS RESERVED.

LOC	DIST	REVISIONS			
P	LTR	DESCRIPTION	DATE	DWN	APVD
CE	16				
	D	REV PER EC 0A00-0172-04	01APR2004	EH	AP



SCALE 3:1



SUGGESTED PANEL CUT-OUT
SCALE 4:1

492305-1
PART NUMBER

NOTE:
 1. HOUSING MATERIAL: PBT 30% GLASS FILLED, UL 94 V-0
 COLOR: BLACK

<small>THIS DRAWING IS A CONTROLLED DOCUMENT FOR AMP INCORPORATED. IT IS SUBJECT TO CHANGE AND THE CONTROLLING ENGINEERING ORGANIZATION SHOULD BE CONTACTED FOR THE LATEST REVISION.</small>		DWN R. HILEMAN 2-20-97 CHK E. HALEY 3-31-97 APVD E. ABENDSCHEIN 3-31-97	AMP AMP Incorporated Harrisburg, PA 17105-3608
DIMENSIONS: mm 	TOLERANCES UNLESS OTHERWISE SPECIFIED: 0 PLC ± 1 PLC ±0.2 2 PLC ±0.13 3 PLC ±0.013 4 PLC ±0.0001 ANGLES ± FINISH -	PRODUCT SPEC - APPLICATION SPEC - WEIGHT -	NAME COUPLING HOUSING ASSEMBLY, LIGHTRAY MPX CONNECTOR SIZE A2 CAGE CODE 00779 DRAWING NO. 492305
MATERIAL -		CUSTOMER DRAWING	SCALE 5:1 SHEET 1 OF 1 REV D